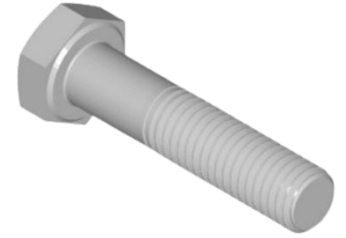
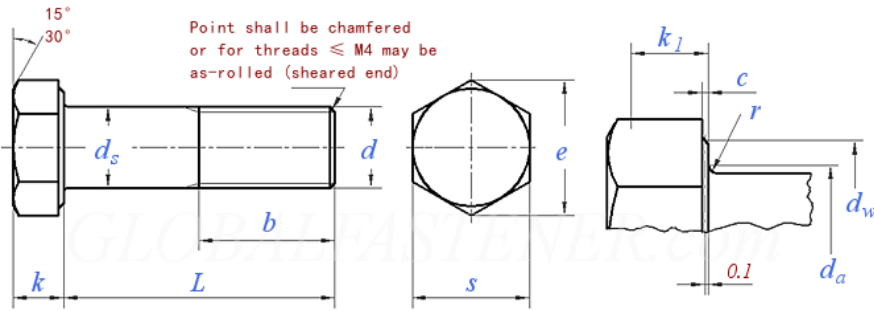


BULONG TIÊU CHUẨN DIN 931



Thread Size		M1.6	M2	M2.5	M3	(M3.5)	M4	M5	M6	(M7)	M8	M10	M12		
d															
P	Thread Pitch	0.35	0.4	0.45	0.5	0.6	0.7	0.8	1	1	1.25	1.5	1.75		
b	Ref.	L ≤ 125	9	10	11	12	13	14	16	18	20	22	26	30	
		125 < L ≤ 200	-	-	-	-	-	-	-	22	24	26	28	32	36
		L > 200	-	-	-	-	-	-	-	-	-	-	45	49	
c	min	0.1	0.1	0.1	0.15	0.15	0.15	0.15	0.15	0.15	0.15	0.15	0.15		
	max	0.25	0.25	0.25	0.4	0.4	0.4	0.5	0.5	0.5	0.6	0.6	0.6		
dα	max	2	2.6	3.1	3.6	4.1	4.7	5.7	6.8	7.8	9.2	11.2	13.7		
ds	max=nominal size	1.6	2	2.5	3	3.5	4	5	6	7	8	10	12		
	min	Grade A	1.46	1.86	2.36	2.86	3.32	3.82	4.82	5.82	6.78	7.78	9.78	11.73	
		Grade B	-	-	-	-	-	-	-	-	-	-	-		
dw	min	Grade A	2.4	3.2	4.1	4.6	5.1	5.9	6.9	8.9	9.8	11.6	15.6	17.4	
		Grade B	-	-	-	-	-	-	-	-	-	-	-	-	
e	min	Grade A	3.41	4.32	5.45	6.01	6.58	7.66	8.79	11.05	12.12	14.38	18.9	21.1	
		Grade B	-	-	-	-	-	-	-	-	-	-	-	-	
k	Nominal Size		1.1	1.4	1.7	2	2.4	2.8	3.5	4	4.8	5.3	6.4	7.5	
	Grade A	min	0.98	1.28	1.58	1.88	2.28	2.68	3.35	3.85	4.65	5.15	6.22	7.32	
		max	1.22	1.52	1.82	2.12	2.52	2.92	3.65	4.15	4.95	5.45	6.58	7.68	
	Grade B	min	-	-	-	-	-	-	-	-	-	-	-	-	
max		-	-	-	-	-	-	-	-	-	-	-	-		
k1	min	0.7	0.9	1.1	1.3	1.6	1.9	2.28	2.63	3.19	3.54	4.28	5.05		
r	min	0.1	0.1	0.1	0.1	0.1	0.2	0.2	0.25	0.25	0.4	0.4	0.6		
s	max=nominal size		3.2	4	5	5.5	6	7	8	10	11	13	17	19	
	min	Grade A	3.02	3.82	4.82	5.32	5.82	6.78	7.78	9.78	10.73	12.73	16.73	18.67	
		Grade B	-	-	-	-	-	-	-	-	-	-	-	-	
Length of Thread b		-	-	-	-	-	-	-	-	-	-	-	-		

Thread Size		(M14)	M16	(M18)	M20	(M22)	M24	(M27)	M30	(M33)	M36	(M39)	
d													
P	Thread Pitch	2	2	2.5	2.5	2.5	3	3	3.5	3.5	4	4	
b	Ref.	L≤125	34	38	42	46	50	54	60	66	72	78	84
		125< L≤200	40	44	48	52	56	60	66	72	78	84	90
		L>200	53	57	61	65	69	73	79	85	91	97	103
c	min	0.15	0.2	0.2	0.2	0.2	0.2	0.2	0.2	0.2	0.2	0.3	
	max	0.6	0.8	0.8	0.8	0.8	0.8	0.8	0.8	0.8	0.8	1	
da	max	15.7	17.7	20.2	22.4	24.4	26.4	30.4	33.4	36.4	39.4	42.4	
ds	max=nominal size		14	16	18	20	22	24	27	30	33	36	39
	min	Grade A	13.73	15.73	17.73	19.67	21.67	23.67	-	-	-	-	-
		Grade B	-	15.57	17.57	19.48	21.48	23.48	26.48	29.48	32.38	35.38	38.38
dw	min	Grade A	20.5	22.5	25.3	28.2	30	33.6	-	-	-	-	-
		Grade B	-	22	24.8	27.7	29.5	33.2	38	42.7	46.6	51.1	55.9
e	min	Grade A	24.49	26.75	30.14	33.53	35.72	39.98	-	-	-	-	-
		Grade B	-	26.17	29.56	32.95	35.03	39.55	45.2	50.85	55.37	60.79	66.44
k	Nominal Size		8.8	10	11.5	12.5	14	15	17	18.7	21	22.5	25
	Grade A	min	8.62	9.82	11.28	12.28	13.78	14.78	-	-	-	-	-
		max	8.98	10.18	11.72	12.72	14.22	15.22	-	-	-	-	-
	Grade B	min	-	9.71	11.15	12.15	13.65	14.65	16.65	18.28	20.58	22.08	24.58
		max	-	10.29	11.85	12.85	14.35	15.35	17.35	19.12	21.42	22.92	25.42
k1	min	5.96	6.8	7.8	8.5	9.6	10.3	11.7	12.8	14.4	15.5	17.2	
r	min	0.6	0.6	0.6	0.8	0.8	0.8	1	1	1	1	1	
s	max=nominal size		22	24	27	30	32	36	41	46	50	55	60
	min	Grade A	21.67	23.67	26.67	29.67	31.61	35.38	-	-	-	-	-
		Grade B	-	23.16	26.16	29.16	31	35	40	45	49	53.8	58.8
Length of Thread b		-	-	-	-	-	-	-	-	-	-	-	