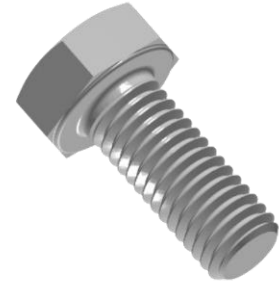
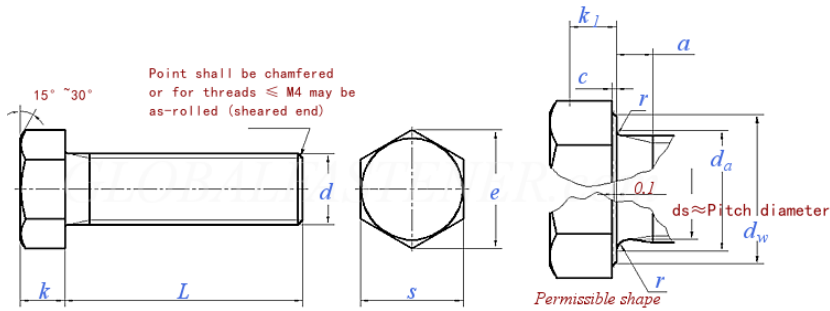


BULONG TIÊU CHUẨN DIN 933



Screw Thread		M1.6	M2	M2.5	M3	(M3.5)	M4	M5	M6	(M7)	M8	M10	M12	(M14)	M16	
d																
P	Pitch	0.35	0.4	0.45	0.5	0.6	0.7	0.8	1	1	1.25	1.5	1.75	2	2	
a	max	1.05	1.2	1.35	1.5	1.8	2.1	2.4	3	3	3.75	4.5	5.25	6	6	
c	min	0.1	0.1	0.1	0.15	0.15	0.15	0.15	0.15	0.15	0.15	0.15	0.15	0.15	0.2	
	max	0.25	0.25	0.25	0.4	0.4	0.4	0.5	0.5	0.5	0.6	0.6	0.6	0.6	0.8	
da	max	2	2.6	3.1	3.6	4.1	4.7	5.7	6.8	7.8	9.2	11.2	13.7	15.7	17.7	
dw	Grade A min	2.4	3.2	4.1	4.6	5.1	5.9	6.9	8.9	9.6	11.6	15.6	17.4	20.5	22.5	
	Grade B min	-	-	-	-	-	5.7	6.7	8.7	9.4	11.4	15.4	17.2	20.1	22	
e	Grade A min	3.41	4.32	5.45	6.01	6.58	7.66	8.79	11.05	12.12	14.38	18.9	21.1	24.49	26.75	
	Grade B min	-	-	-	-	-	7.5	8.63	10.89	11.94	14.2	18.72	20.88	23.91	26.17	
k	Nominal Size	1.1	1.4	1.7	2	2.4	2.8	3.5	4	4.8	5.3	6.4	7.5	8.8	10	
	Grade A	min	0.98	1.28	1.58	1.88	2.28	2.68	3.35	3.85	4.65	5.15	6.22	7.32	8.62	9.82
		max	1.22	1.52	1.82	2.12	2.52	2.92	3.65	4.15	4.95	5.45	6.56	7.68	8.98	10.18
	Grade B	min	-	-	-	-	-	2.6	3.26	3.76	4.56	5.06	6.11	7.21	8.51	9.71
max		-	-	-	-	-	3	3.74	4.24	5.04	5.54	6.69	7.79	9.09	10.29	
k1	min	0.7	0.9	1.1	1.3	1.6	1.9	2.28	2.63	3.19	3.54	4.28	5.05	5.96	6.8	
r	min	0.1	0.1	0.1	0.1	0.1	0.2	0.2	0.25	0.25	0.4	0.4	0.6	0.6	0.6	
s	max=nominal size	3.2	4	5	5.5	6	7	8	10	11	13	17	19	22	24	
	Grade A min	3.02	3.82	4.82	5.32	5.82	6.78	7.78	9.78	10.73	12.73	16.73	18.67	21.67	23.67	
	Grade B min	-	-	-	-	-	6.64	7.64	9.64	10.57	12.57	16.57	18.48	21.16	23.16	
Weight of per 1000 steel products(≈kg)		-	-	-	-	-	-	-	-	-	-	-	-	-	-	

Screw Thread		(M18)	M20	(M22)	M24	(M27)	M30	(M33)	M36	(M39)	M42	(M45)	M48	(M52)	
d															
p	Pitch	2.5	2.5	2.5	3	3	3.5	3.5	4	4	4.5	4.5	5	5	
a	max	7.5	7.5	7.5	9	9	10.5	10.5	12	12	13.5	13.5	15	15	
c	min	0.2	0.2	0.2	0.2	0.2	0.2	0.2	0.2	0.3	0.3	0.3	0.3	0.3	
	max	0.8	0.8	0.8	0.8	0.8	0.8	0.8	0.8	1	1	1	1	1	
da	max	20.2	22.4	24.4	26.4	30.4	33.4	36.4	39.4	42.4	45.6	48.6	52.6	56.6	
dw	Grade A	min	25.3	28.2	30	33.6	-	-	-	-	-	-	-	-	
	Grade B	min	24.8	27.7	29.5	33.2	38	42.7	46.5	51.1	55.9	59.9	64.7	69.4	74.2
e	Grade A	min	30.14	33.53	35.72	39.98	-	-	-	-	-	-	-	-	
	Grade B	min	29.56	32.95	35.03	39.55	45.2	50.85	55.37	60.79	66.44	71.3	76.95	82.6	88.25
k	Nominal Size		11.5	12.5	14	15	17	18.7	21	22.5	25	26	28	30	33
	Grade A	min	11.28	12.28	13.78	14.78	-	-	-	-	-	-	-	-	-
		max	11.72	12.72	14.22	15.22	-	-	-	-	-	-	-	-	-
	Grade B	min	11.15	12.15	13.65	14.65	16.65	18.28	20.58	22.08	24.58	25.58	27.58	29.58	32.5
max		11.85	12.85	14.35	15.35	17.35	19.12	21.42	22.92	25.42	26.42	28.42	30.42	33.5	
k1	min	7.8	8.5	9.6	10.3	11.7	12.8	14.4	15.5	17.2	17.9	19.3	20.9	22.8	
r	min	0.6	0.8	0.8	0.8	1	1	1	1	1	1.2	1.2	1.6	1.6	
s	max=nominal size		27	30	32	36	41	46	50	55	60	65	70	75	80
	Grade A	min	26.67	29.67	31.61	35.38	-	-	-	-	-	-	-	-	-
	Grade B	min	26.15	29.16	31	35	40	45	49	53.8	58.8	63.1	68.1	73.1	78.1
Weight of per 1000 steel products(≈kg)		-	-	-	-	-	-	-	-	-	-	-	-	-	